


APPLICABLE STANDARD		SD mini Memory Card Specifications Ver 1.02			
RATING	OPERATING TEMPERATURE RANGE	-25°C TO +85°C (NOTE.1)	STORAGE TEMPERATURE RANGE	-40°C TO +85°C	
	VOLTAGE	AC 125V	OPERATING HUMIDITY RANGE	95%MAXIMUM (NON-CONDENSING)	
	CURRENT	0.5A			
SPECIFICATIONS					
ITEM	TEST METHOD		REQUIREMENTS	QT	AT
CONSTRUCTION					
GENERAL EXAMINATION	VISUALLY AND BY MEASURING INSTRUMENT.		ACCORDING TO DRAWING.	X	X
MARKING	CONFIRMED VISUALLY.			X	X
ELECTRIC CHARACTERISTICS					
CONTACT RESISTANCE MILLIVOLT LEVEL METHOD IEC60512-2-2a	OPEN VOLTAGE 20 mV AC MAX, TEST CURRENT 1mA.		INITIALLY 100 mΩ MAXIMUM (NOTE 2).	X	-
VOLTAGE PROOF IEC60512-2-4a	500 Vrms AC IS APPLIED FOR 1 MINUTE.		①NO FLASHOVER OR BREAKDOWN. ②CURRENT LEAKAGE 1mA MAXIMUM.	X	X
INSULATION RESISTANCE IEC60512-2-3a	MEASURE WITHIN 1 MINUTE AFTER APPLYING 500 V DC.		INITIALLY 1000 MΩ MINIMUM.	X	-
MECHANICAL CHARACTERISTICS					
CARD INSERTION FORCE CARD EJECTION FORCE	MEASURED BY APPLICABLE CORD AT 25mm/min.		THE INITIAL STAGE:12 N MAX. AFTER MECHANICAL OPERATION :15N MAX.	X	-
MECHANICAL OPERATION [OFFICE ENVIRONMENT] EIA364B class1.1	10000 TIMES INSERTIONS AND WITH DRAWAL SHALL BE MADE AT THE CYCLE RATE 400 TO 600 CYCLES/h.		① CONTACT RESISTANCE: AFTER TEST 40 mΩ MAXIMUM CHANGE. (CONTACT RESISTANCE REVERSION BY INSERTION AND EXTRACTION IS AVAILABLE) ② NO MECHANICAL DAMAGE SHALL OCCUR ON THE PARTS.	X	-
VIBRATION AND HIGH FREQUENCY IEC60512-4-6d	FREQUENCY 10 TO 55 TO 10 Hz/min, SINGLE AMPLITUDE 0.75 mm FOR 2 h IN 3 DIRECTIONS.		① NO ELECTRICAL DISCONTINUITY OF 100 ns. ② NO MECHANICAL DAMAGE SHALL OCCUR ON THE PARTS.	X	-
SHOCK IEC60512-4-6c	ACCELERATION 490m/s <sup>2</sup> STANDARD HOLDING TIME 11 ms, SEMI-SINE WAVE FOR 3TIMES IN 3 DIRECTIONS.			X	-
	COUNT	DESCRIPTION OF REVISIONS	DESIGNED	CHECKED	DATE
	0				
REMARK			APPROVED	S.I.TOMIOKA	05.06.23
NOTE 1:INCLUDE THE TEMPERATURE RISE BY CURRENT.			CHECKED	S.I.TOMIOKA	05.06.23
NOTE 2:CONTACT RESISTANCE INCLUDES CONDUCTOR RESISTANCE.			DESIGNED	KJ.NISHIWAKI	05.06.23
UNLESS OTHERWISE SPECIFIED, THE TEST SHOULD BE DONE UNDER TEMP. 15 TO 35°C, AIR PRESSURE 86 TO 106kPa, RELATIVE HUMIDITY 25 TO 85%.			DRAWN	KJ.NISHIWAKI	05.06.23
Note QT:Qualification Test AT:Assurance Test X:Applicable Test			DRAWING NO.	ELC4-155066-03	
<b>HRS</b>	SPECIFICATION SHEET		PART NO.	DM2A-SFW-PEJ-S(03)	
	HIROSE ELECTRIC CO., LTD.		CODE NO.	CL609-0010-0-03	 1/2

		SPECIFICATIONS		
ITEM	TEST METHOD	REQUIREMENTS	QT	AT
<b>ENVIRONMENTAL CHARACTERISTICS</b>				
DAMP HEAT, CYCLIC IEC60512-6-11m	10 CYCLES (1 CYCLE=24 HOURS) WITH CONNECTORS ENGAGED.  	① CONTACT RESISTANCE: AFTER TEST 40 mΩ MAXIMUM CHANGE. ② INSULATION RESISTANCE: AFTER TEST 100 MΩ MINIMUM. ③ NO MECHANICAL DAMAGE OR HEAVY CORROSION SHALL OCCUR ON THE PARTS.	X	-
RAPID CHANGE OF TEMPERATURE IEC60512-6-11d	5 CYCLES (1 CYCLE=1 HOUR) WITH CONNECTORS ENGAGED. TEMPERATURE: -55 TO +85 °C	① CONTACT RESISTANCE: AFTER TEST 40 mΩ MAXIMUM CHANGE.	X	-
DRY HEAT IEC60512-6-11i	EXPOSED AT 85 °C FOR 96 HOURS WITH CONNECTORS ENGAGED.	② INSULATION RESISTANCE: AFTER TEST 100 MΩ MINIMUM. ③ NO MECHANICAL DAMAGE OR HEAVY CORROSION SHALL OCCUR ON THE PARTS.	X	-
COLD IEC60512-6-11j	EXPOSED AT -25 °C FOR 96 HOURS WITH CONNECTORS ENGAGED.		X	-
DAMP HEAT, STEADY STATE IEC60512-6-11c	EXPOSED AT 40 °C, 90 TO 95 % RH, 96 HOURS WITH CONNECTORS ENGAGED.		X	-
HYDROGEN SULFIDE JEIDA 38	EXPOSED IN 3 PPM HYDROGEN SULFIDE , APPROX. 40°C ,80% RH,96 HOURS, WITH CONNECTORS ENGAGED.		X	-

Note QT:Qualification Test AT:Assurance Test X:Applicable Test

DRAWING NO.

ELC4-155066-03



SPECIFICATION SHEET

PART NO.

DM2A-SFW-PEJ-S(03)

HIROSE ELECTRIC CO., LTD.

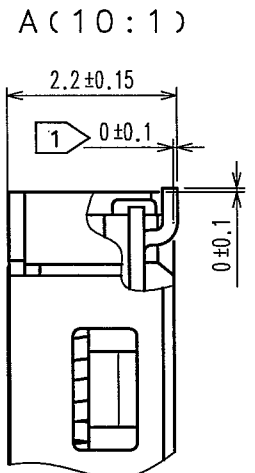
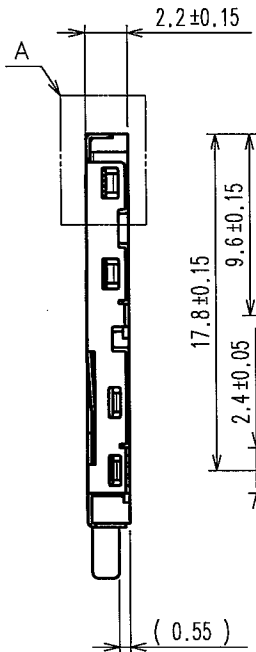
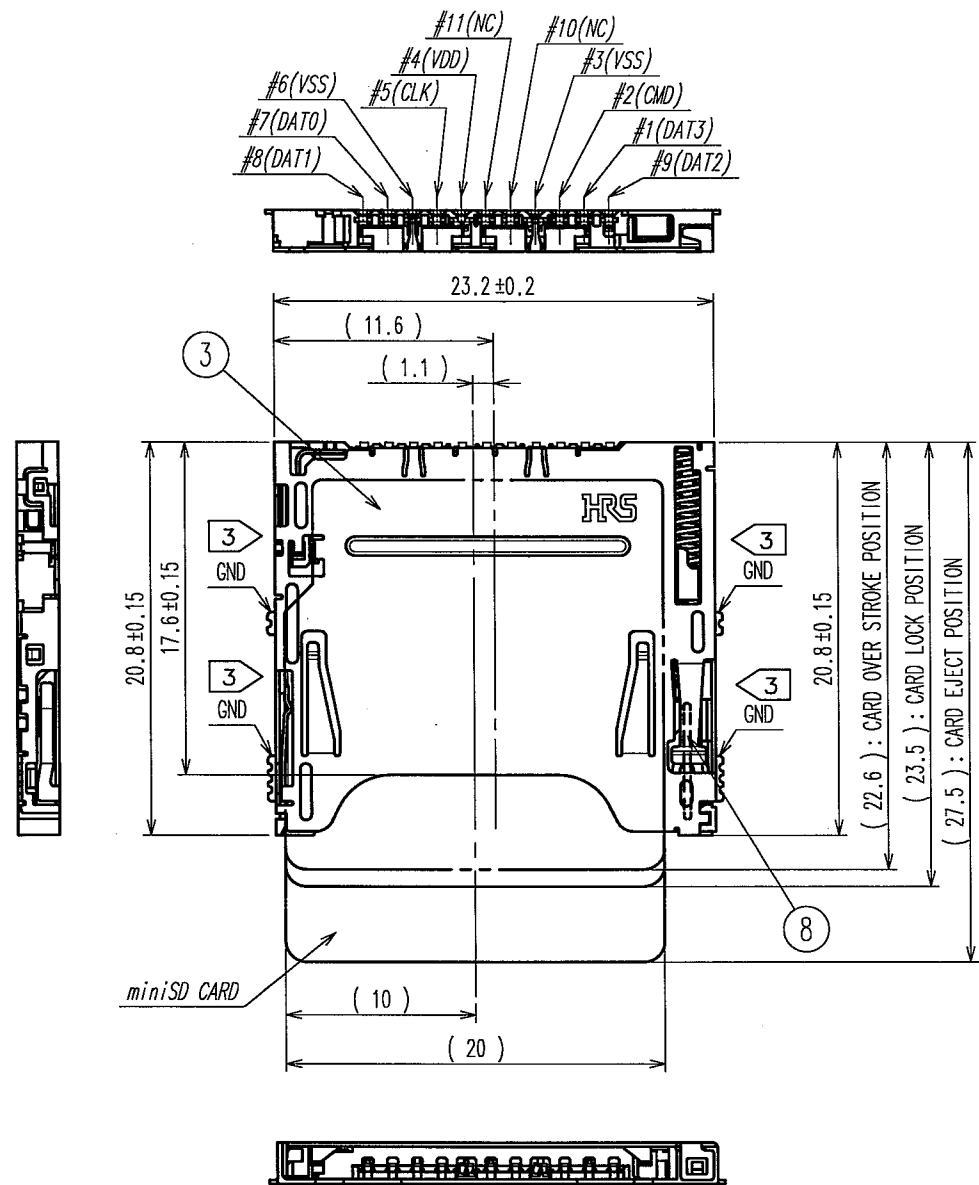
CODE NO

CL609-0010-0-03

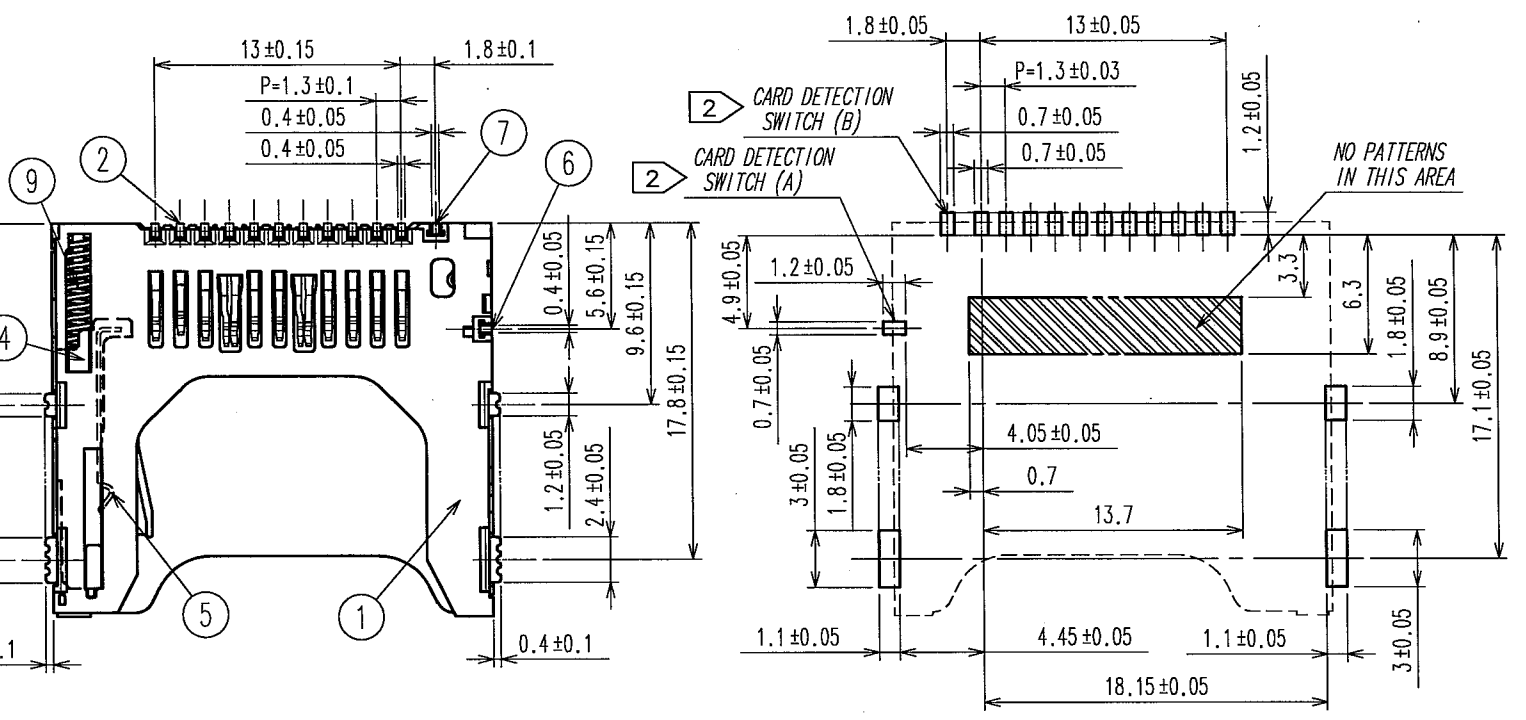


2/2

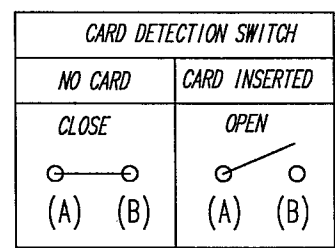
COUNT	DESCRIPTION OF REVISIONS	BY	CHKD	DATE	COUNT	DESCRIPTION OF REVISIONS	BY	CHKD	DATE
△					△				
△					△				
△					△				



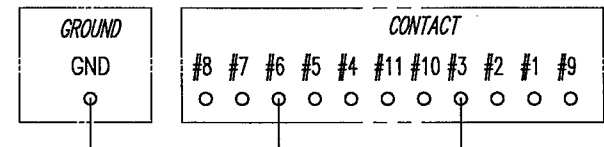
RECOMMENDED PCB LAYOUT (MOUNTING SIDE)



- NOTE. ① CO-PLANARITY SHALL BE 0.1mm MAX.  
 ② CARD DETECTION PROCEDURE IS SHOWN BELOW.



③ CIRCUIT OF CONTACTS AND GROUND IS SHOWN BELOW.

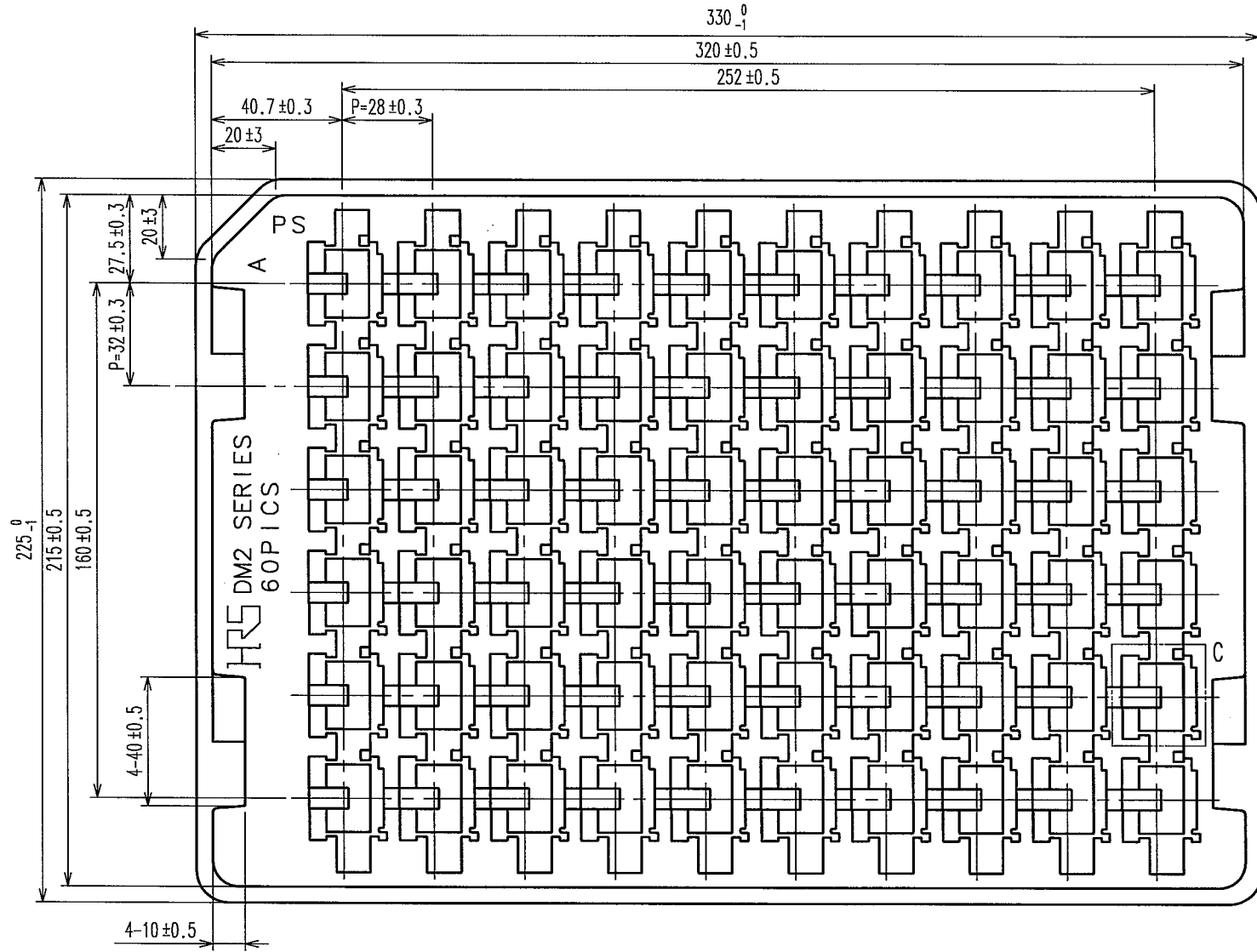


4	HEAT-RESISTANT RESIN	BLACK	UL94V-0	9	STEEL WIRE	Ni PLATING
3	COPPER ALLOY (t=0.2)			8	STAINLESS STEEL	
2	PHOSPHOR BRONZE (t=0.2)	CONTACT AREA	Ni1.5μ m+Au0.1μ m	6, 7	PHOSPHOR BRONZE (t=0.2)	CONTACT AREA Ni1.5μ m+Au0.1μ m
		MOUNTING AREA	Ni1.5μ m+Au0.03μ m			MOUNTING AREA Ni1.5μ m+Au0.03μ m
1	HEAT-RESISTANT RESIN	BLACK	UL94V-0	5	STAINLESS STEEL	
NO.	MATERIAL	FINISH, REMARKS		NO.	MATERIAL	FINISH, REMARKS

CODE NO. (OLD)	CL?	DRAWN	DESIGNED	CHECKED	APPROVED	RELEASED
		K. HIRATAKI	K. HIRATAKI	J. Tomida	K. Hayama	
		05.06.23	05.06.23	05.06.23	05.06.23	

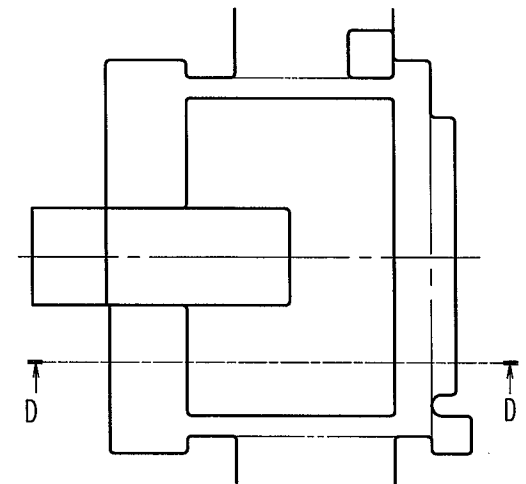
SCALE	FREE	DRAWING NO.	EDC3-155066-03	PART NO.	DM2A-SFW-PEJ-S(03)
UNITS	mm	CODE NO.	CL609-0010-0-03		1/2
		HRS HIROSE ELECTRIC CO., LTD			

(Configuration of packing tray)

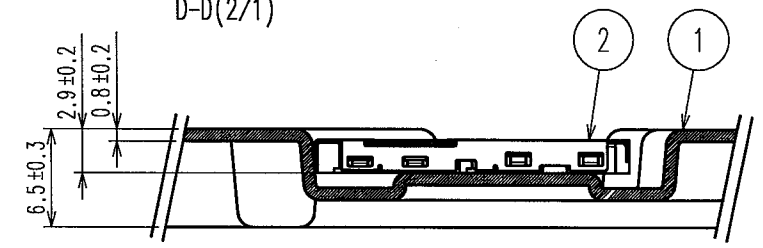


COUNT	DESCRIPTION OF REVISIONS	BY	CHKD	DATE	COUNT	DESCRIPTION OF REVISIONS	BY	CHKD	DATE
△					△				
△					△				
△					△				

C(2/1)



D-D(2/1)



Note.1 Quantity : 60pcs/tray  
2 Minum packaged quantity for sale : 1200pcs

2	CONNECTORS	DM2A-SFW-PEJ-S
1	PS	WHITE

NO.	MATERIAL	FINISH, REMARKS	NO.	MATERIAL	FINISH, REMARKS
CL					

CL	DRAWN	DESIGNED	CHECKED	APPROVED	RELEASED
	KNISHIWAKI 05.06.23	KNISHIWAKI 05.06.23	J. Tomioka 05.06.23	K. Fujimori 05.06.23	

SCALE	DRAWING NO.	PART NO.
2:1	EDC3-155066-03	DM2A-SFW-PEJ-S(03)
UNITS	HRS HIROSE ELECTRIC CO., LTD	CODE NO.
mm		CL609-0010-0-03

TO